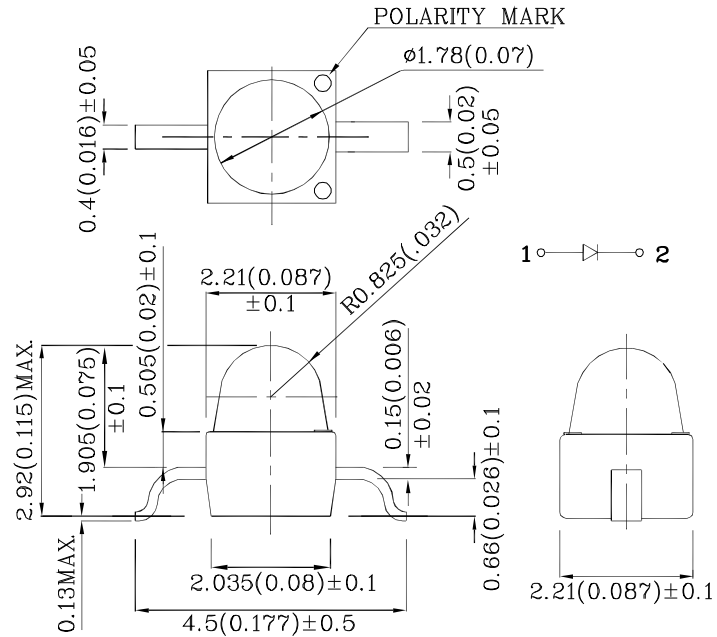


### Features

- Ideal for indication light on hand held products
- Long life and robust package
- Variety of lens types and color choices available
- Package :1000pcs / reel
- Moisture sensitivity level : level 3
- RoHS compliant



### Package Schematics



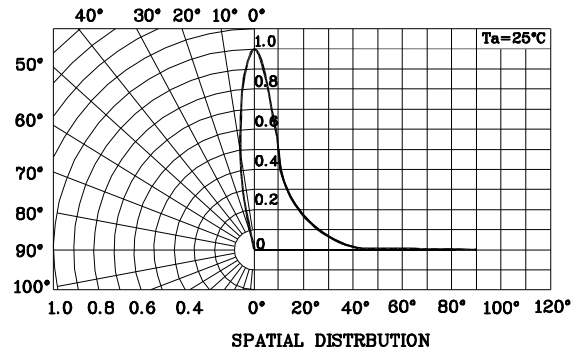
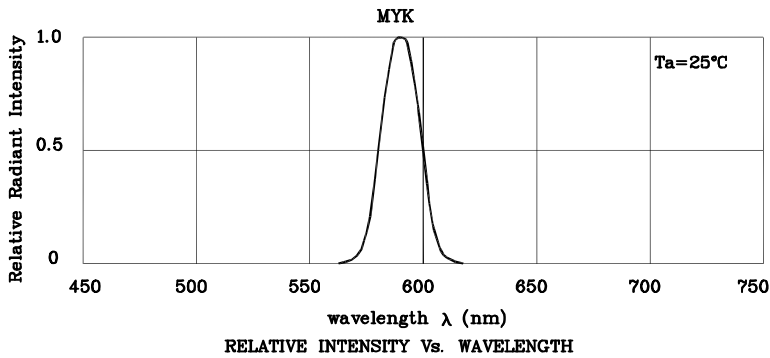
#### Notes:

1. All dimensions are in millimeters (inches).
2. Tolerance is  $\pm 0.25(0.01)$  unless otherwise noted.
3. Specifications are subject to change without notice.

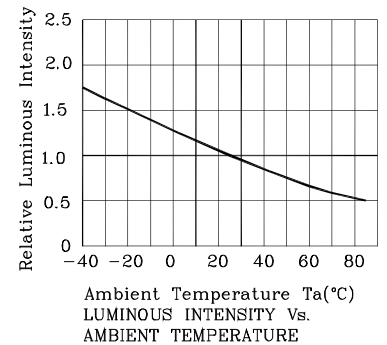
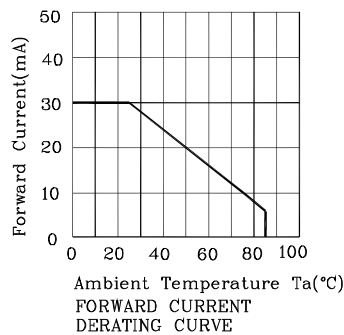
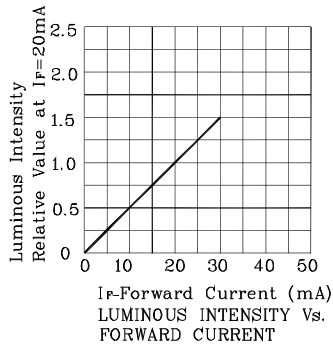
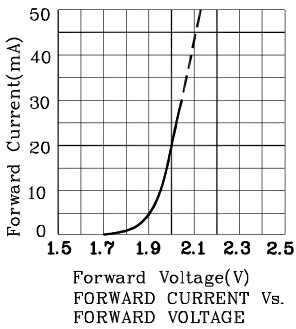
| Absolute Maximum Ratings<br>( $T_A=25^\circ\text{C}$ )         |           | MYK<br>(AlGaInP) | Unit |
|--|-----------|------------------|------|
| Reverse Voltage  | $V_R$     | 5                | V    |
| Forward Current  | $I_F$     | 30               | mA   |
| Forward Current (Peak)<br>1/10 Duty Cycle<br>0.1ms Pulse Width | $i_{FS}$  | 175              | mA   |
| Power Dissipation  | $P_D$     | 75               | mW   |
| Operating Temperature  | $T_A$     | -40 ~ +85        | °C   |
| Storage Temperature  | $T_{stg}$ | -40 ~ +85        |      |

| Operating Characteristics<br>( $T_A=25^\circ\text{C}$ )                     |                 | MYK<br>(AlGaInP) | Unit          |
|---|-----------------|------------------|---------------|
| Forward Voltage (Typ.)<br>( $I_F=20\text{mA}$ )                             | $V_F$           | 2                | V             |
| Forward Voltage (Max.)<br>( $I_F=20\text{mA}$ )                             | $V_F$           | 2.5              | V             |
| Reverse Current (Max.)<br>( $V_R=5\text{V}$ )                               | $I_R$           | 10               | $\mu\text{A}$ |
| Wavelength of Peak<br>Emission (Typ.)<br>( $I_F=20\text{mA}$ )              | $\lambda_P$     | 590              | nm            |
| Wavelength of Dominant<br>Emission (Typ.)<br>( $I_F=20\text{mA}$ )          | $\lambda_D$     | 590              | nm            |
| Spectral Line Full Width<br>At Half-Maximum (Typ.)<br>( $I_F=20\text{mA}$ ) | $\Delta\lambda$ | 20               | nm            |
| Capacitance (Typ.)<br>( $V_F=0\text{V}$ , $f=1\text{MHz}$ )                 | $C$             | 20               | pF            |

| Part<br>Number | Emitting<br>Color | Emitting<br>Material | Lens-color  | Luminous<br>Intensity<br>( $I_F=20\text{mA}$ )<br>mcd |      | Wavelength<br>nm<br>$\lambda_P$ | Viewing<br>Angle<br>2 $\theta$ 1/2 |
|----------------|-------------------|----------------------|-------------|---|------|---------------------------------|------------------------------------|
|                |                   |                      |             | min.  | typ. |                                 |                                    |
| XZMYK64W-3     | Yellow            | AlGaInP              | Water Clear | 1400  | 2290 | 590                             | 20°                                |



❖ MYK



LED is recommended for reflow soldering and soldering profile is shown below.

Reflow Soldering Profile for SMD Products (Pb-Free Components)

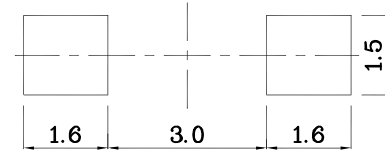
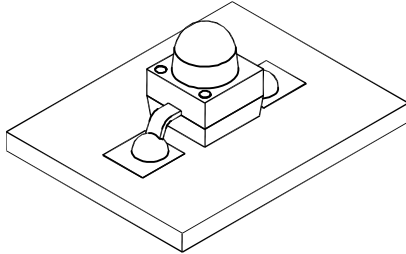


- Notes:
1. Maximum soldering temperature should not exceed 280°C
  2. Recommended reflow temperature: 145°C-260°C
  3. Do not put stress to the epoxy resin during high temperatures conditions

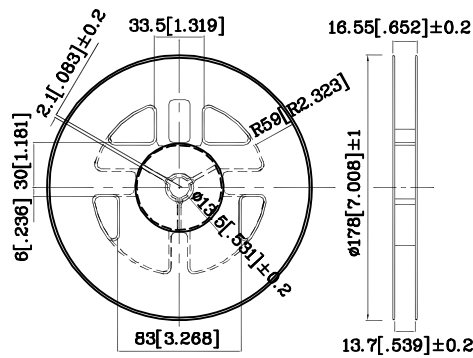


❖ The device has a single mounting surface.  
The device must be mounted according to the specifications.

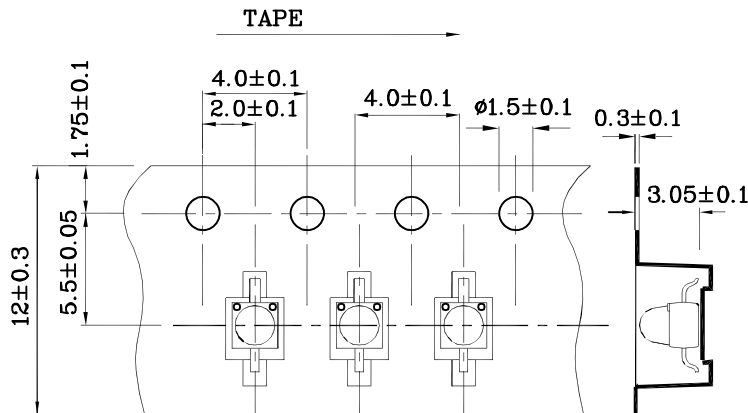
❖ Recommended Soldering Pattern  
(Units : mm; Tolerance:  $\pm 0.1$ )



❖ Reel Dimension



❖ Tape Specification (Units : mm)



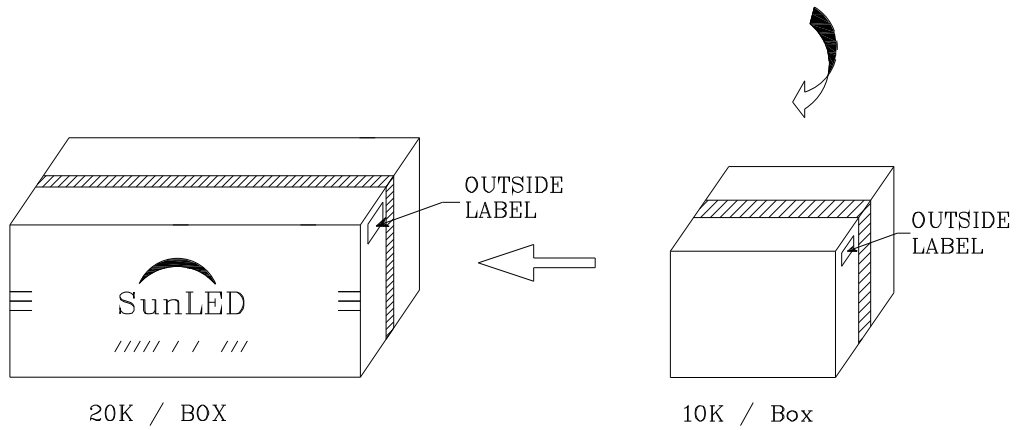
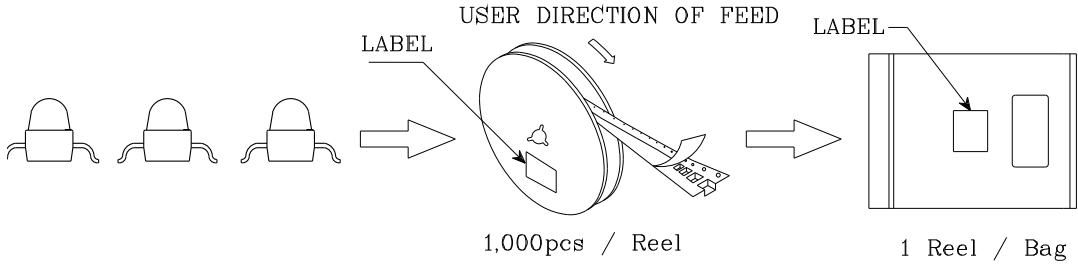

Remarks:

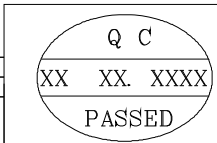

If special sorting is required (e.g. binning based on forward voltage, Luminous intensity / luminous flux, or wavelength), the typical accuracy of the sorting process is as follows:

1. Wavelength:  $\pm 1\text{nm}$
2. Luminous intensity / luminous flux:  $\pm 15\%$
3. Forward Voltage:  $\pm 0.1\text{V}$

Note: Accuracy may depend on the sorting parameters.

PACKING & LABEL SPECIFICATIONS

|  |           |
|--|-----------|
|                                |           |
| P/NO : XZxx64x-3   |           |
| QTY : 1,000 pcs  | CODE: XXX |
| S/N : XX   |           |
| LOT NO:  |           |
| <br>XXXXXXXXXXXXXXXXXXXXXXXXXX |           |
| RoHS Compliant   |           |