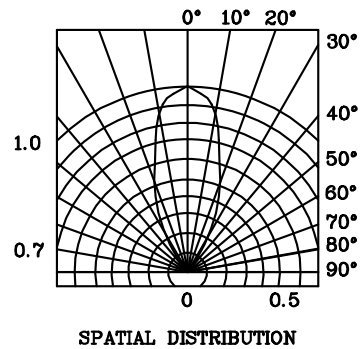
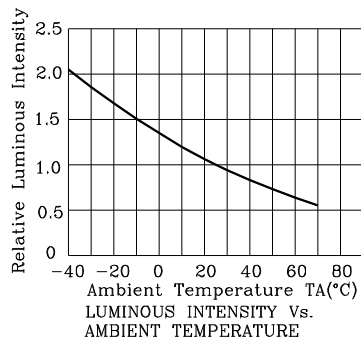
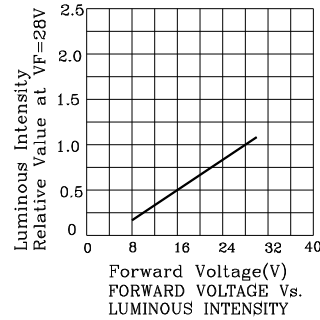
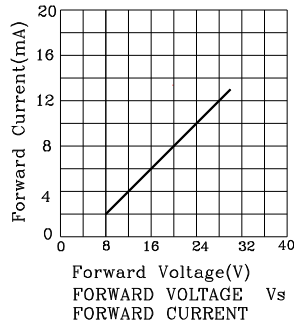
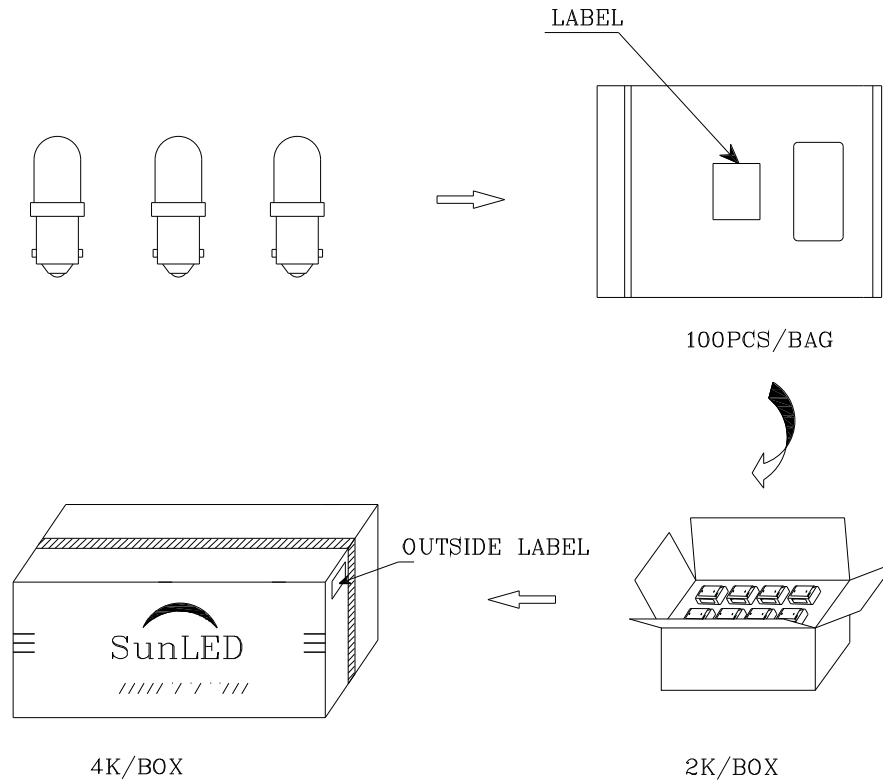



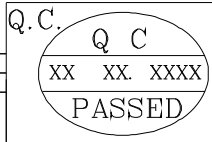

❖ SG



PACKING & LABEL SPECIFICATIONS

XYSG102W28V

	
P/NO : XYxxx102x	
QTY : 100 pcs	CODE: XXX
S/N : XX	
LOT NO :	
 XXXXXXXXXXXXXXXXXXXXXXXXXXXX	
RoHS Compliant	