

PRELIMINARY SPEC

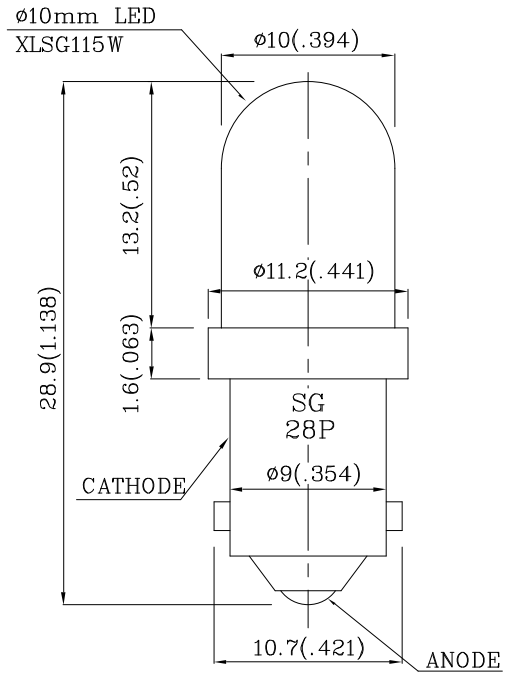
Features

- BUILT-IN CURRENT LIMITING RESISTOR FOR DIRECT APPLICATION OF DIFFERENT ACROSS CURRENT.
- LONG LIFE.
- LOW CURRENT, POWER SAVINGS.
- LOW MAINTENANCE.
- SOLID STATE, HIGH VIBRATION RESISTANT.
- 28V INTERNAL RESISTOR.
- RoHS COMPLIANT.



Notes:

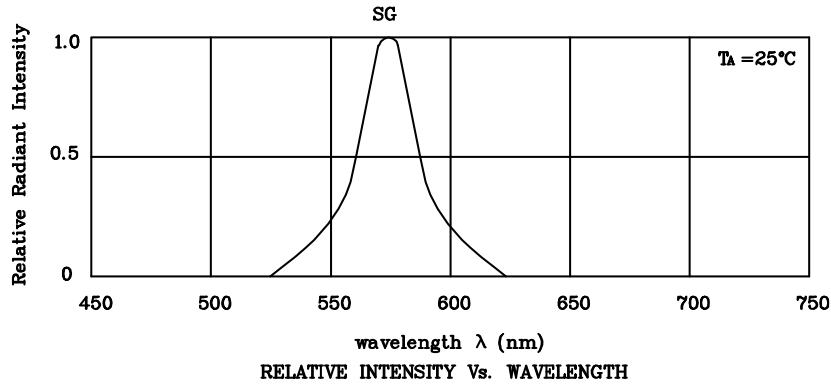
1. All dimensions are in millimeters (inches).
2. Tolerance is $\pm 0.25(0.01")$ unless otherwise noted.
3. Specifications are subject to change without notice.



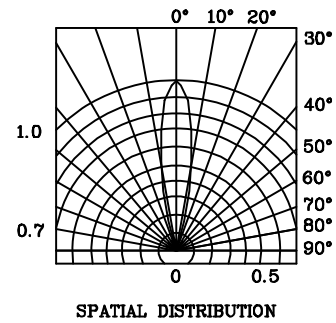
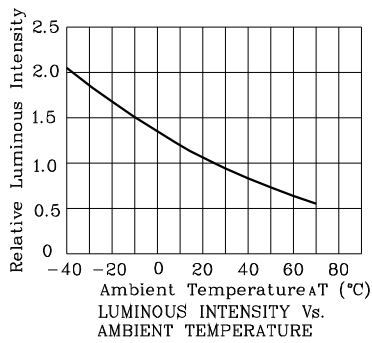
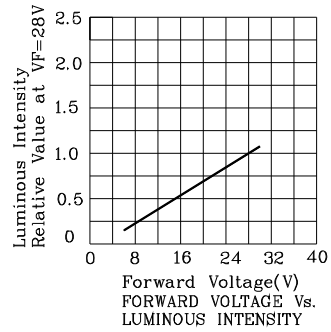
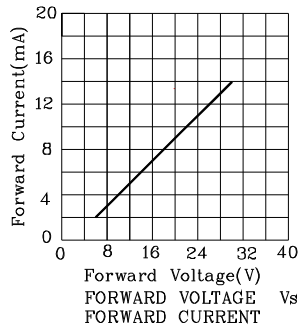
Absolute Maximum Ratings (TA=25°C)		SG (InGaAlP)	Unit
Reverse Voltage	V _R	5	V
Forward Voltage	V _F	30	V
Power Dissipation	P _T	480	mW
Operating Temperature	T _A	-40 ~ +70	°C
Storage Temperature	T _{stg}	-40 ~ +85	

Operating Characteristics (TA=25°C)		SG (InGaAlP)	Unit
Forward Current (Typ.) (V _F =28V)	I _F	13	mA
Forward Current (Max.) (V _F =28V)	I _F	16	mA
Reverse Current (Max.) (V _R =5V)	I _R	10	uA
Wavelength Of Peak Emission (Typ.) (V _F =28V)	λ P	574	nm
Wavelength Of Dominant Emission (Typ.) (V _F =28V)	λ D	568	nm
Spectral Line Full Width At Half-Maximum (Typ.) (V _F =28V)	Δλ	26	nm

Part Number	Emitting Color	Emitting Material	Lens-color	Luminous Intensity (V=28V) mcd		Wavelength nm λ P	Viewing Angle 2 θ 1/2
				min.	typ.		
XYSG101W28V	Green	InGaAlP	Water Clear	180	597	574	20°

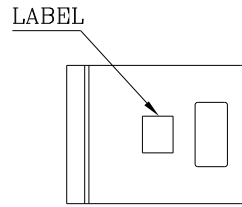
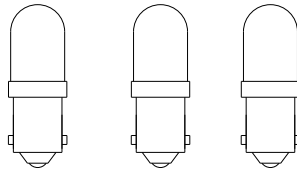


❖ SG

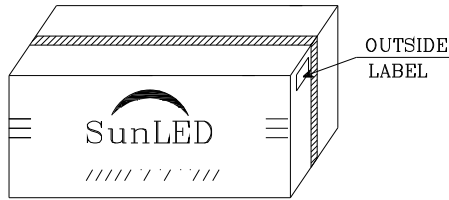


PACKING & LABEL SPECIFICATIONS

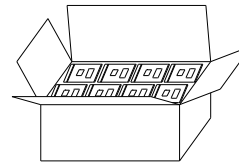
XYSG101W28V



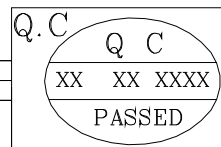
100PCS / BAG




4K / BOX



2K / BOX



P/NO : XYxx101x	
QTY : 100 pcs	CODE: XXX
S/N : XX	
LOT NO:	
 xxxxxxxxxxxxxxxxxxxxxxxx	
RoHS Compliant	