

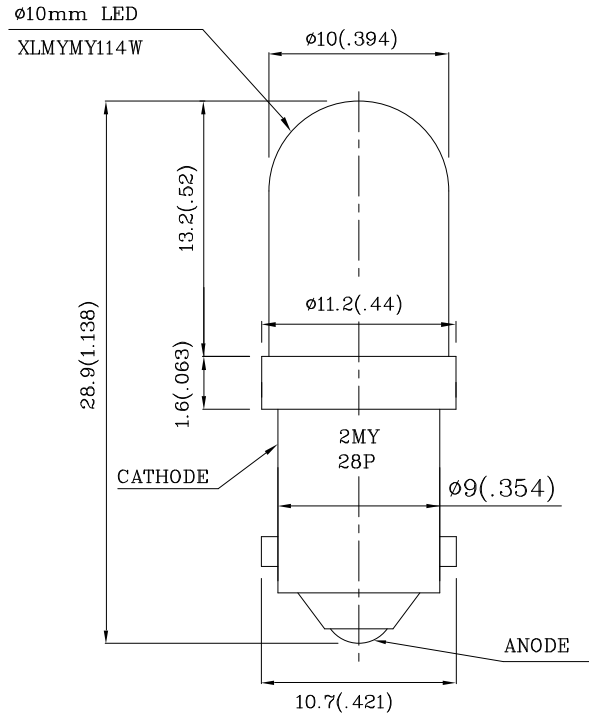
**Features**

- BUILT-IN CURRENT LIMITING RESISTOR FOR DIRECT APPLICATION OF DIFFERENT ACROSS CURRENT.
- LONG LIFE.
- LOW CURRENT, POWER SAVINGS.
- LOW MAINTENANCE.
- SOLID STATE, HIGH VIBRATION RESISTANT.
- 28V INTERNAL RESISTOR.
- RoHS COMPLIANT.



Notes:

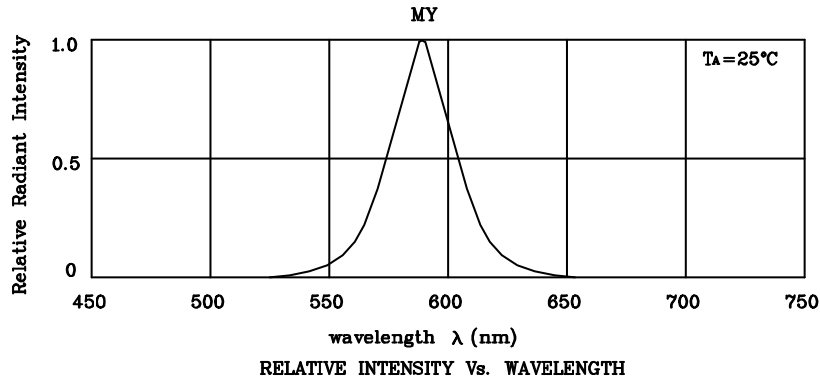
1. All dimensions are in millimeters (inches).
2. Tolerance is  $\pm 0.25(0.01)$ " unless otherwise noted.
3. Specifications are subject to change without notice.



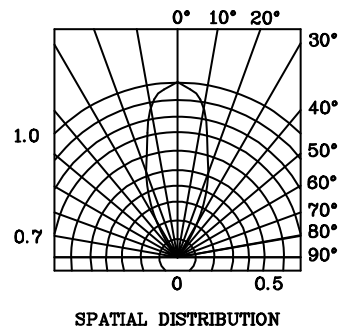
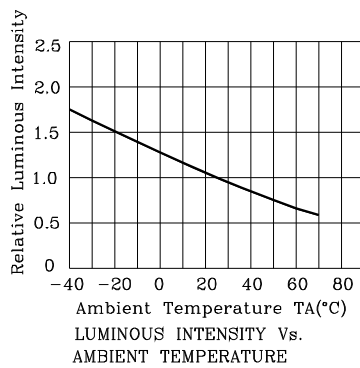
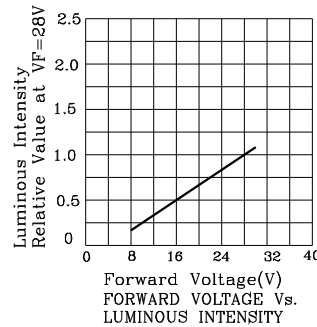
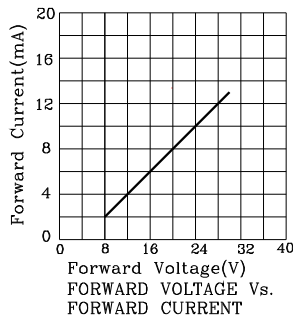
Absolute Maximum Ratings (TA=25°C)		MY (InGaAlP)	Unit
Reverse Voltage	V <sub>R</sub>	5	V
Forward Voltage	V <sub>F</sub>	30	V
Power Dissipation	P <sub>T</sub>	450	mW
Operating Temperature	T <sub>A</sub>	-40 ~ +70	°C
Storage Temperature	T <sub>stg</sub>	-40 ~ +85	

Operating Characteristics (TA=25°C)		MY (InGaAlP)	Unit
Forward Current (Typ.) (V <sub>F</sub> =28V)	I <sub>F</sub>	12	mA
Forward Current (Max.) (V <sub>F</sub> =28V)	I <sub>F</sub>	15	mA
Reverse Current (Max.) (V <sub>R</sub> =5V)	I <sub>R</sub>	10	uA
Wavelength Of Peak Emission (Typ.) (V <sub>F</sub> =28V)	$\lambda P$	590	nm
Wavelength Of Dominant Emission (Typ.) (V <sub>F</sub> =28V)	$\lambda D$	588	nm
Spectral Line Full Width At Half-Maximum (Typ.) (V <sub>F</sub> =28V)	$\Delta\lambda$	28	nm

Part Number	Emitting Color	Emitting Material	Lens-color	Luminous Intensity (V=28V) mcd		Wavelength nm $\lambda P$	Viewing Angle 2 $\theta$ 1/2
				min.	typ.		
XYMY102W28V	Yellow	InGaAlP	Water Clear	650	1790	590	40°

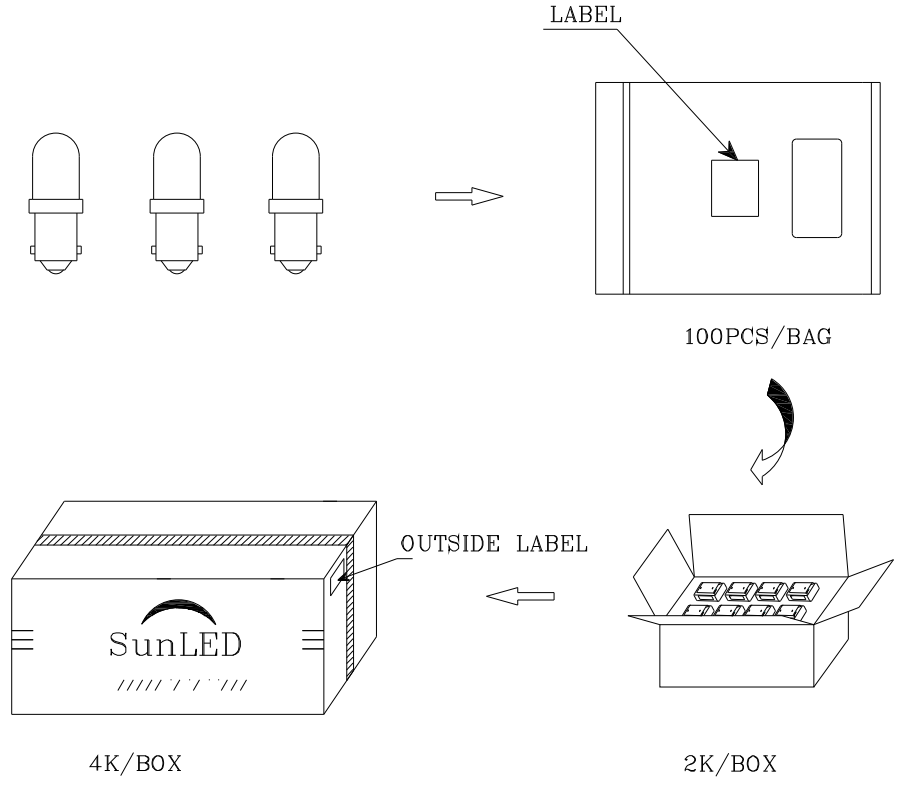



❖ MY



**PACKING & LABEL SPECIFICATIONS**

**XYMY102W28V**





Q.C.

Q C

XX XX XXXX

PASSED

P/NO : XYxxx102x	
QTY : 100 pcs	CODE: XXX
S/N : XX	
LOT NO :	
 XXXXXXXXXXXXXXXXXXXXXXXXXX	
RoHS Compliant	