

PRELIMINARY SPEC

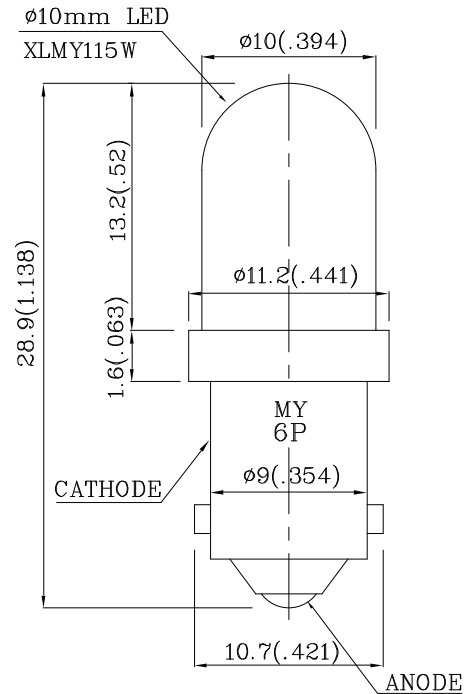
**Features**

- BUILT-IN CURRENT LIMITING RESISTOR FOR DIRECT APPLICATION OF DIFFERENT ACROSS CURRENT.
- LONG LIFE.
- LOW CURRENT, POWER SAVINGS.
- LOW MAINTENANCE.
- DIFFERENT COLOR AVAILABLE.
- SOLID STATE, HIGH VIBRATION RESISTANT.
- 6V INTERNAL RESISTOR.
- RoHS COMPLIANT.



Notes:

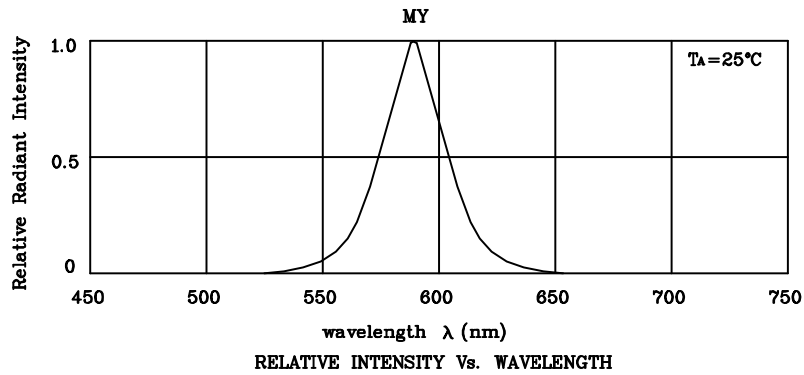
1. All dimensions are in millimeters (inches).
2. Tolerance is  $\pm 0.25(0.01")$  unless otherwise noted.
3. Specifications are subject to change without notice.



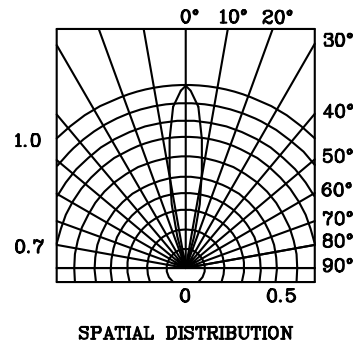
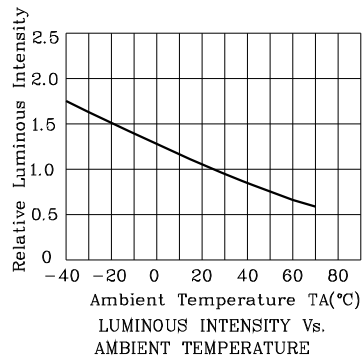
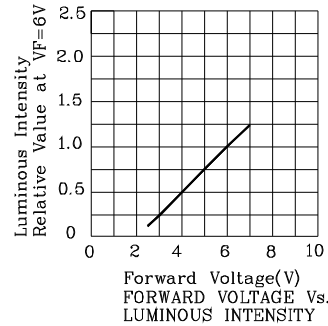
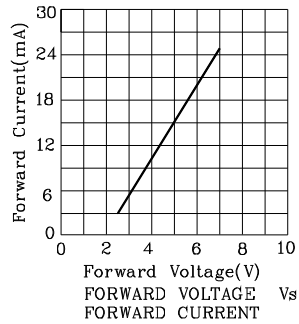
Absolute Maximum Ratings ( $T_A=25^\circ\text{C}$ )		MY (InGaAlP)	Unit
Reverse Voltage	$V_R$	5	V
Forward Voltage	$V_F$	7	V
Power Dissipation	$P_T$	175	mW
Operating Temperature	$T_A$	-40 ~ +70	°C
Storage Temperature	$T_{stg}$	-40 ~ +85	

Operating Characteristics ( $T_A=25^\circ\text{C}$ )		MY (InGaAlP)	Unit
Forward Current (Typ.) ( $V_F=6\text{V}$ )	$I_F$	20	mA
Forward Current (Max.) ( $V_F=6\text{V}$ )	$I_F$	25	mA
Reverse Current (Max.) ( $V_R=5\text{V}$ )	$I_R$	10	$\mu\text{A}$
Wavelength Of Peak Emission (Typ.) ( $V_F=6\text{V}$ )	$\lambda_P$	590	nm
Wavelength Of Dominant Emission (Typ.) ( $V_F=6\text{V}$ )	$\lambda_D$	588	nm
Spectral Line Full Width At Half-Maximum (Typ.) ( $V_F=6\text{V}$ )	$\Delta\lambda$	28	nm

Part Number	Emitting Color	Emitting Material	Lens-color	Luminous Intensity ( $V=6\text{V}$ ) mcd		Wavelength nm $\lambda_P$	Viewing Angle $2\theta$ 1/2
				min.	typ.		
XYMY101W6V	Yellow	InGaAlP	Water Clear	1500	2490	590	20°

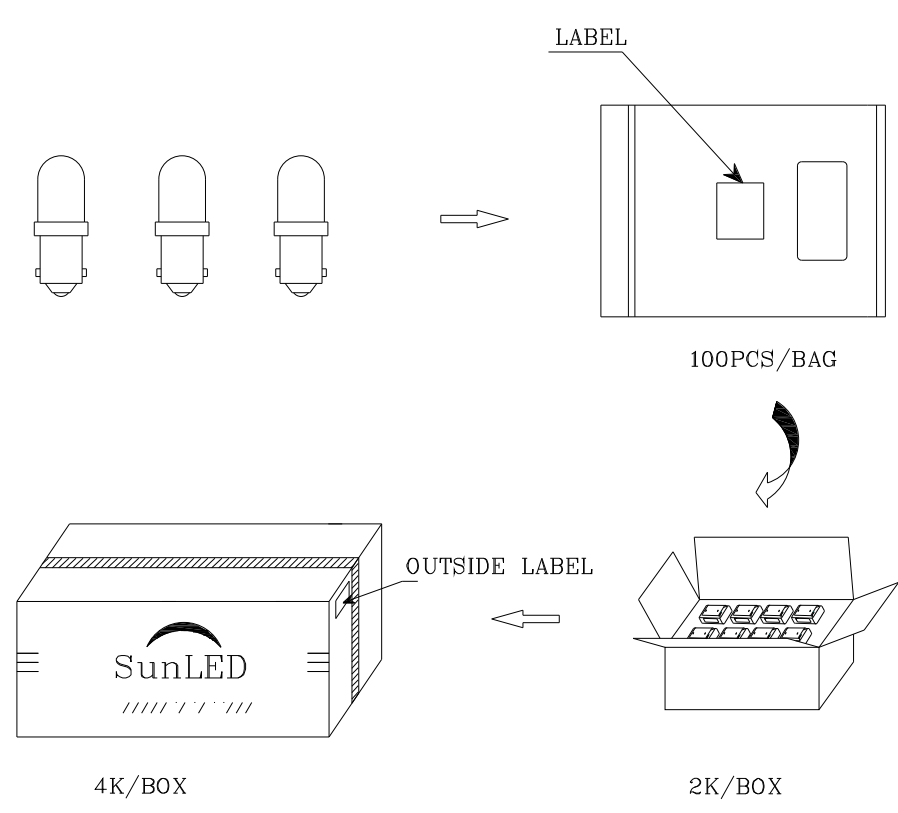



❖ MY




**PACKING & LABEL SPECIFICATIONS**

**XYMY101W6V**

**SunLED** Q.C. Q C XX XX XXXX PASSED

P/NO : XYxxx102x	
QTY : 100 pcs	CODE: XXX
S/N : XX	
LOT NO :	
 XXXXXXXXXXXXXXXXXXXXXXXXXX	
RoHS Compliant	