

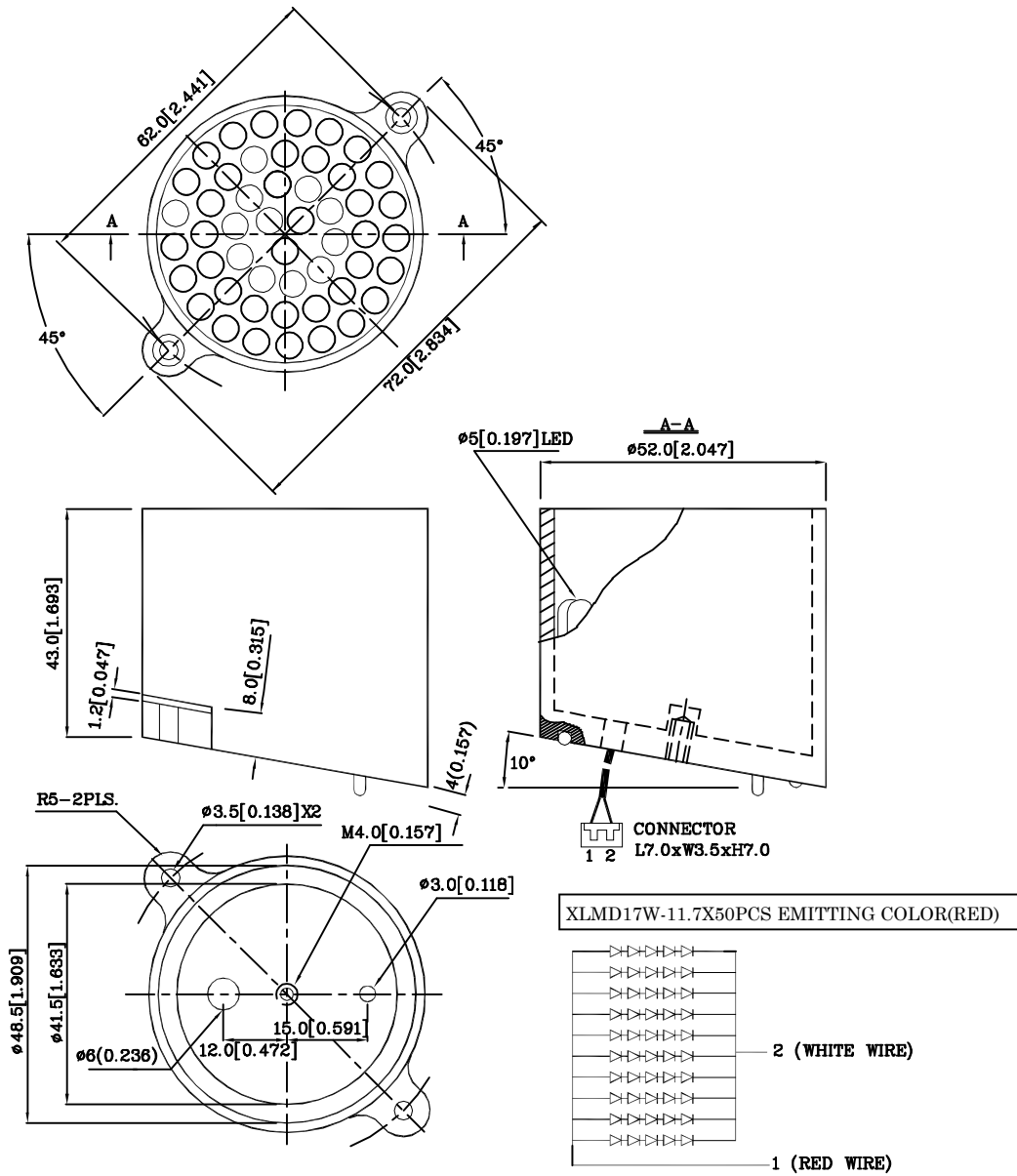


Features

- Waterproof construction.
- Suitable for outdoor applications, signboard or message board, etc.
- RoHS compliant.



Package Schematics



- Notes:
1. All dimensions are in millimeters (inches).
 2. Tolerance is $\pm 0.25(0.01)$ unless otherwise noted.
 3. Specifications are subject to change without notice.

Electrical / Optical Characteristics at TA=25°C

Symbol	Parameter	Device	Min	Typ.	Max.	Units	Test Conditions	
Iv	Luminous Intensity	XK50MDW46	40000	79990	-	mcd	IF=200mA	
			12500*	25000*	-			
2 01/2	Viewing Angle		-	40	-	deg	-	
V _F	Forward Voltage		-	9.5	12.5	V	IF=200mA	
λ P	Peak Wavelength		-	650	645*	-	nm	IF=200mA
λ D	Dominant Wavelength		-	630	630*	-	nm	IF=200mA
Δλ 1/2	Spectral Line Half-width		-	27		-	nm	IF=200mA
I _R	Reverse Current		-	-	100	uA	V _R = 5V	

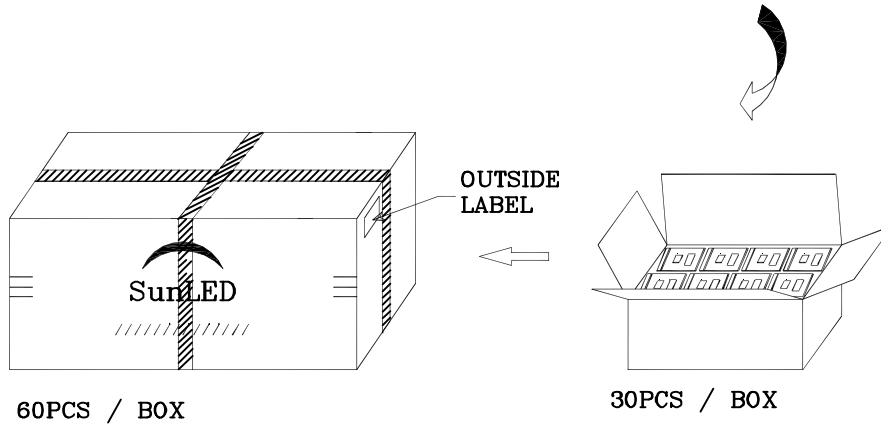
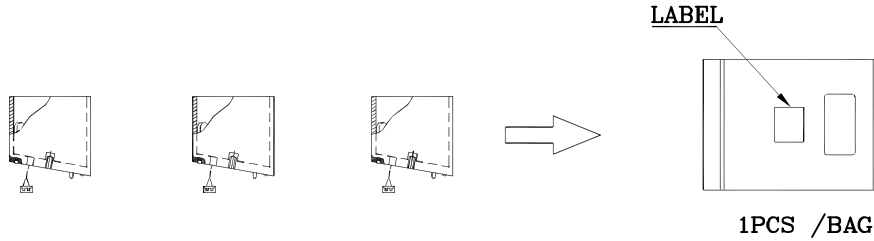

*Luminous intensity value and wavelength are in accordance with CIE127-2007 standards.

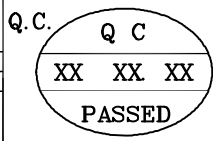

Absolute Maximum Ratings at TA=25°C

Parameter	Type	Units
Total Power dissipation	3700	mW
Total DC Forward Current	300	mA
Reverse Voltage	5	V
Operating Temperature	-40°C To +70°C	
Storage Temperature	-40°C To +85°C	



PACKING & LABEL SPECIFICATIONS

	
P/N0 : XK50xxx	
QTY : 1 pcs	CODE: XXX
S/N : XX	
LOT NO:	
 xxxxxxxxxxxxxxxxxxxxxxxx	
RoHS Compliant	