

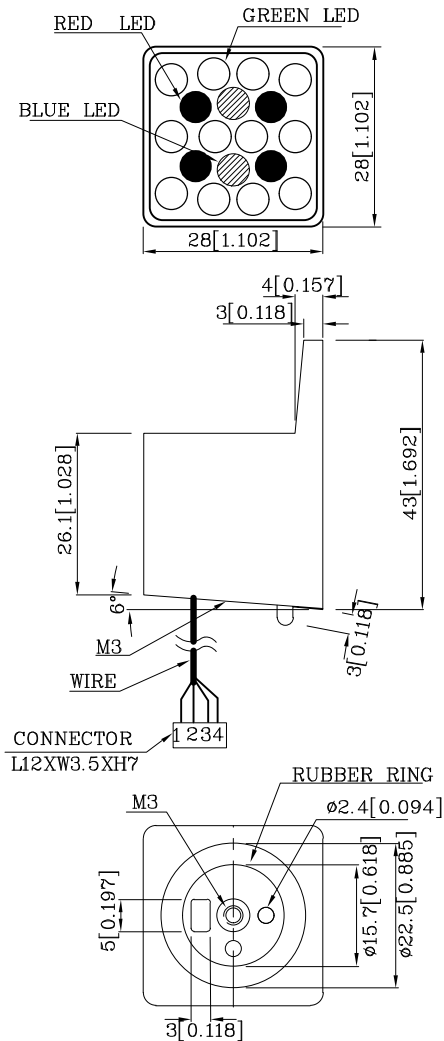
PRELIMINARY SPEC



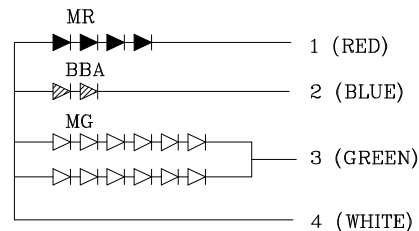
ATTENTION
OBSERVE PRECAUTIONS
FOR HANDLING
ELECTROSTATIC
DISCHARGE
SENSITIVE
DEVICES

Features

- HIGH VISIBILITY.
- WATER PROOF PACKAGE WITH HOOD SUITABLE FOR OUTDOOR AND INDOOR INFORMATION BOARDS.
- CAN PRODUCE ANY COLOR IN VISIBLE SPECTRUM, INCLUDING WHITE LIGHT.
- RoHS COMPLIANT.



XLMR17W-11.7x4PCS
XLBBA17W-11.7x2PCS
XLMG17W-11.7x12PCS



Notes:

1. All dimensions are in millimeters (inches).
2. Tolerance is $\pm 0.25(0.01)$ unless otherwise noted.
3. Specifications are subject to change without notice.



Electrical / Optical Characteristics at TA=25°C

Symbol	Parameter	Device	Type.	Min	Typ.	Max.	Units	Test Conditions
IV	Luminous Intensity	XK4MR2BBA12MGW88	MR	900	1800	-	mcd	IF=20mA
			BBA	280	650	-		IF=20mA
			MG	650	1200	-		IF=40mA
201/2	Viewing Angle		-	-	40	-	deg	-
VF	Forward Voltage		MR	-	7.4	10	V	IF=20mA
			BBA	-	6.4	8.0		IF=20mA
			MG	-	13.2	15		IF=40mA
Ipeak	Peak Wavelength		MR	-	660	-	nm	IF= 20mA
			BBA	-	468	-		IF=20mA
		MG	-	565	-	IF=40mA		
ID	Dominant Wavelength	MR	-	640	-	nm	IF= 20 mA	
		BBA	-	470	-		IF=20mA	
		MG	-	568	-		IF=40mA	
D11/2	Spectral Line Half-width	MR	-	20	-	nm	IF=20mA	
		BBA	-	21	-		IF=20mA	
		MG	-	30	-		IF=40mA	
IR	Reverse Current	-	-	-	40	µA	VR= 5 V	

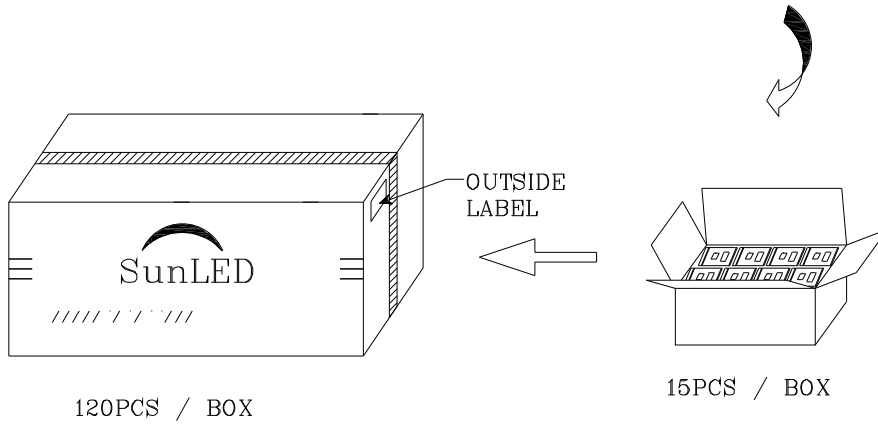
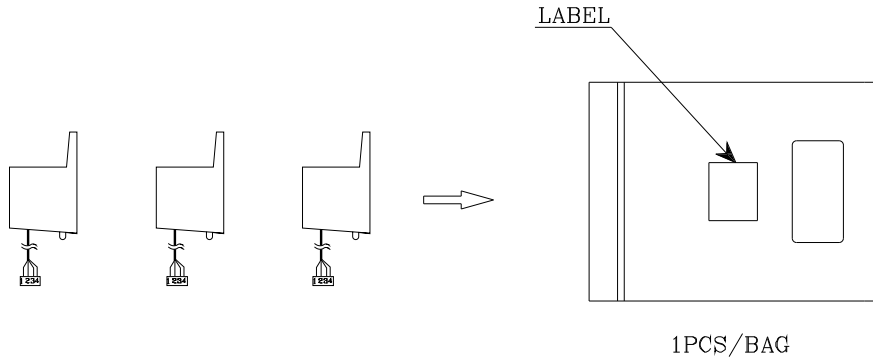

Absolute Maximum Ratings at TA=25°C

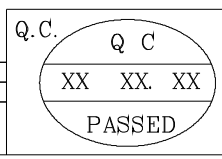

parameter	Value			unit
	MR	BBA	MG	
Total Power dissipation	1200			mW
DC Forward Current	25	25	25	mA
Reverse Voltage	5			V
Operating temperature	-40°C To +70°C			
Storage Temperature	-40°C To +85°C			



PACKING & LABEL SPECIFICATIONS

XK4MR2BBA12MGW88

	
P/NO : XKxxx	
QTY : 1pcs	CODE: XXX
S/N : XX	
LOT NO:	
 xxxxxxxxxxxxxxxxxxxxxxxx	
RoHS Compliant	