

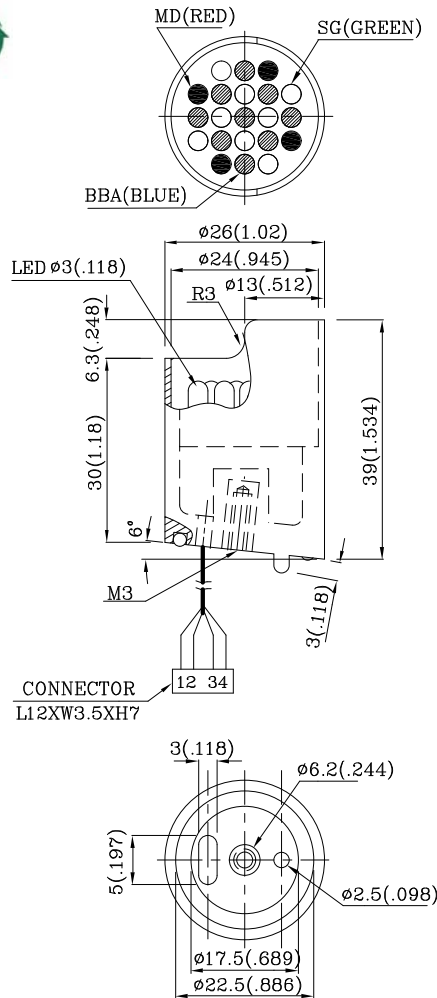
PRELIMINARY SPEC



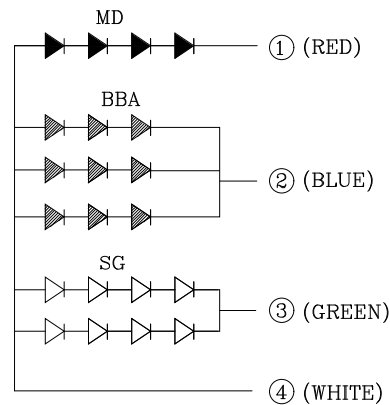
ATTENTION
 OBSERVE PRECAUTIONS
 FOR HANDLING
 ELECTROSTATIC
 DISCHARGE
 SENSITIVE
 DEVICES

Features

- HIGH VISIBILITY.
- WATER PROOF PACKAGE WITH HOOD SUITABLE FOR OUTDOOR AND INDOOR INFORMATION BOARDS.
- CAN PRODUCE ANY COLOR IN VISIBLE SPECTRUM, INCLUDING WHITE LIGHT.
- RoHS COMPLIANT.



XLMD32W-10.5x4PCS
 XLBBA32W-10.5x9PCS
 XLSG32W-10.5x8PCS



Notes:

1. All dimensions are in millimeters (inches).
2. Tolerance is $\pm 0.25(0.01)$ unless otherwise noted.
3. Specifications are subject to change without notice.

Electrical / Optical Characteristics at TA=25°C

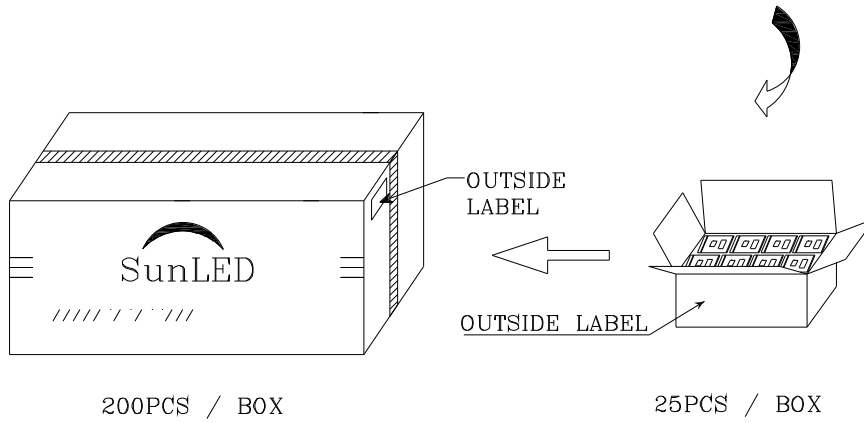
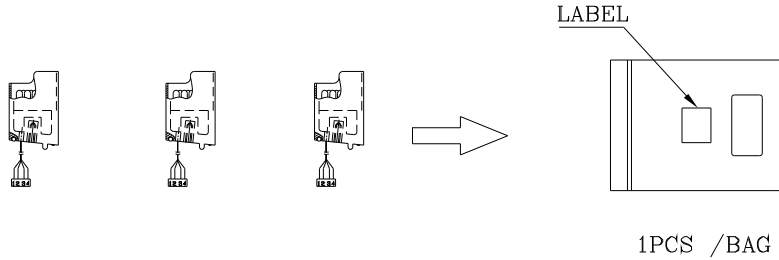

Symbol	Parameter	Device	Wafer	Min.	Typ.	Max.	Units	Test Conditions
Iv	Luminous Intensity	XK4MD9BBA8SGW86	MD BBA SG	900 2800 1200	1195 4490 1790	-	mcd	If=20mA If=60mA If=40mA
2 01/2	Viewing Angle		MD BBA SG	-	40	-	deg	-
VF	Forward Voltage		MD BBA SG	-	7.6 9.6 8.4	10 12 10	V	If=20mA If=60mA If=40mA
λ P	Peak Wavelength		MD BBA SG	-	640 468 574	-	nm	If=20mA If=60mA If=40mA
λ D	Dominate Wavelength		MD BBA SG	-	628 470 568	-	nm	If=20mA If=60mA If=40mA
Δλ 1/2	Spectral Line Half-width		MD BBA SG	-	27 21 26	-	nm	If=20mA If=60mA If=40mA
IR	Reverse Current			-	-	60	uA	VR = 5V

Absolute Maximum Ratings at TA=25°C


Parameter	Type	Units	
Total Power dissipation	MD	1650	mW
	BBA		
	SG		
DC Forward Current	MD	25	mA
	BBA	75	
	SG	50	
Reverse Voltage	5	V	
Operating Temperature	-40 To +70	°C	
Storage Temperature	-40 To +85	°C	

PACKING & LABEL SPECIFICATIONS

XK4MD9BBA8SGW86

Q.C. Q C
 XX XX XX
 PASSED

P/NO : XKxxx	
QTY : 1 pcs	CODE: XXX
S/N : XX	
LOT NO:	
 xxxxxxxxxxxxxxxxxxxxxxxx	
RoHS Compliant	