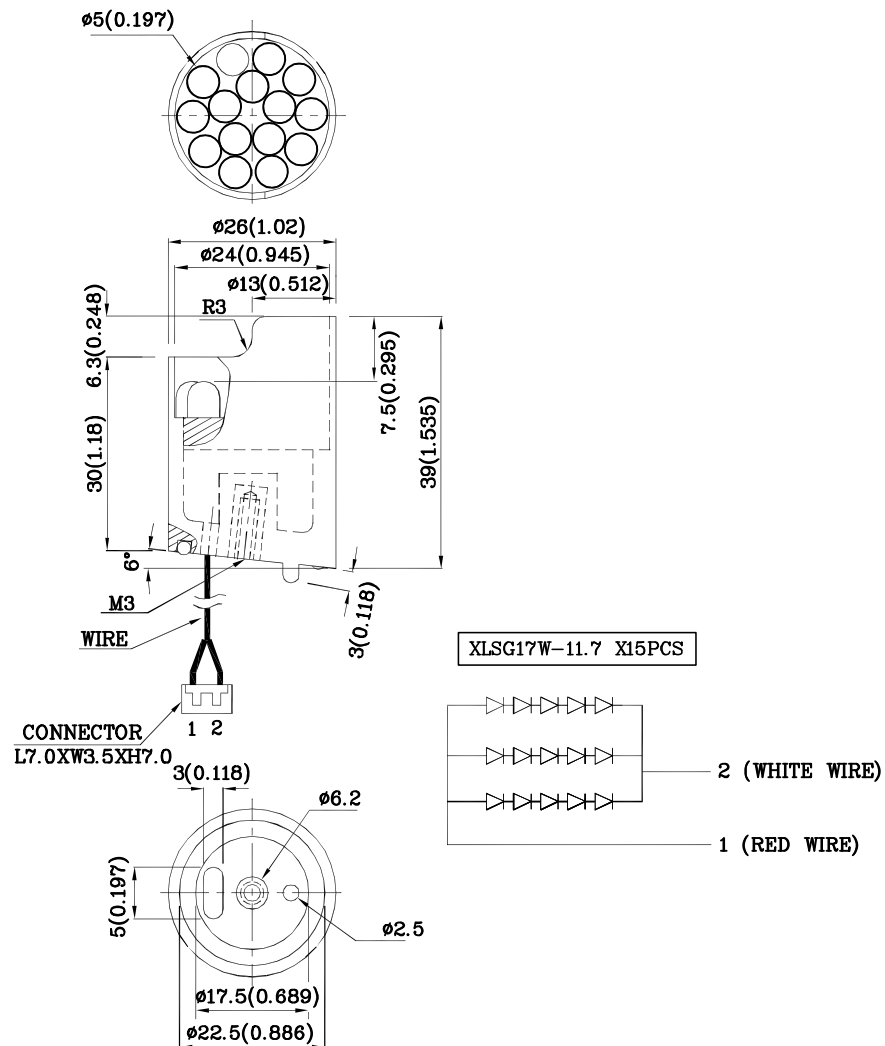


Features

- Water proof package with hood suitable for outdoor and indoor information boards.
- RoHS compliant.



Package Schematics



Notes:

1. All dimensions are in millimeters (inches).
2. Tolerance is $\pm 0.25(0.01)$ " unless otherwise noted.
3. Specifications are subject to change without notice.



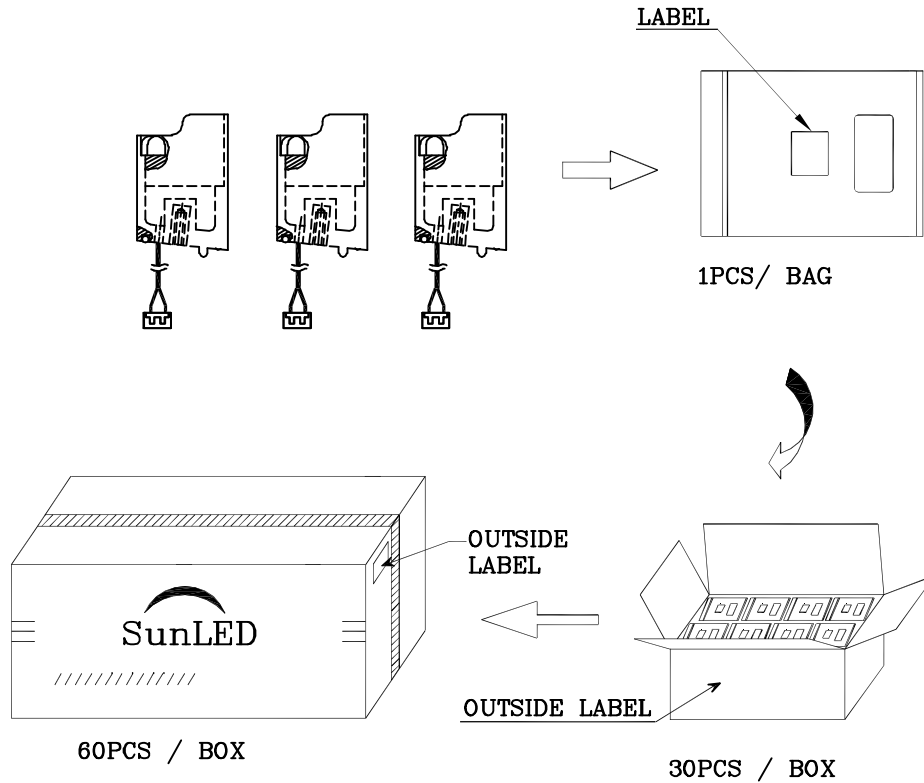
Electrical / Optical Characteristics at TA=25°C


Symbol	Parameter	Device	Min	Typ.	Max.	Units	Test Conditions
I _v	Luminous Intensity	XK15SGW53	6000	10490	-	mcd	I _F =60mA
2 θ _{1/2}	Viewing Angle		-	40	-	deg	-
V _F	Forward Voltage		-	10.5	12.5	V	I _F =60mA
λ _P	Peak Wavelength		-	574	-	nm	I _F =60mA
λ _D	Dominant Wavelength		-	570	-	nm	I _F =60mA
Δλ _{1/2}	Spectral Line Half-width		-	26	-	nm	I _F =60mA
I _R	Reverse Current		-	-	30	uA	V _R = 5V

Absolute Maximum Ratings at TA=25°C

Parameter	Type	Units
Total Power dissipation	1125	mW
Total DC Forward Current	90	mA
Reverse Voltage	5	V
Operating Temperature	-40°C T _o +70°C	
Storage Temperature	-40°C T _o +85°C	

PACKING & LABEL SPECIFICATIONS






Q.C.

Q C

XX XX XX

PASSED

P/NO : XK15xxx	
QTY : 1pcs	CODE: XXX
S/N : XX	
LOT NO:	
 xxxxxxxxxxxxxxxxxxxxxxxx	
RoHS Compliant	